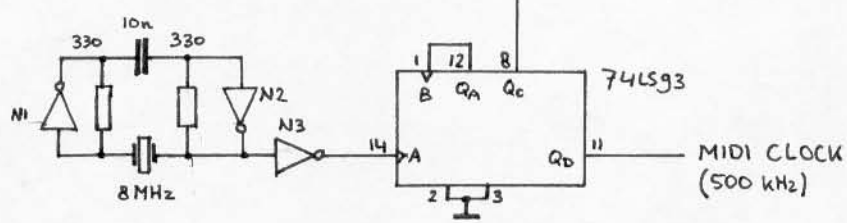


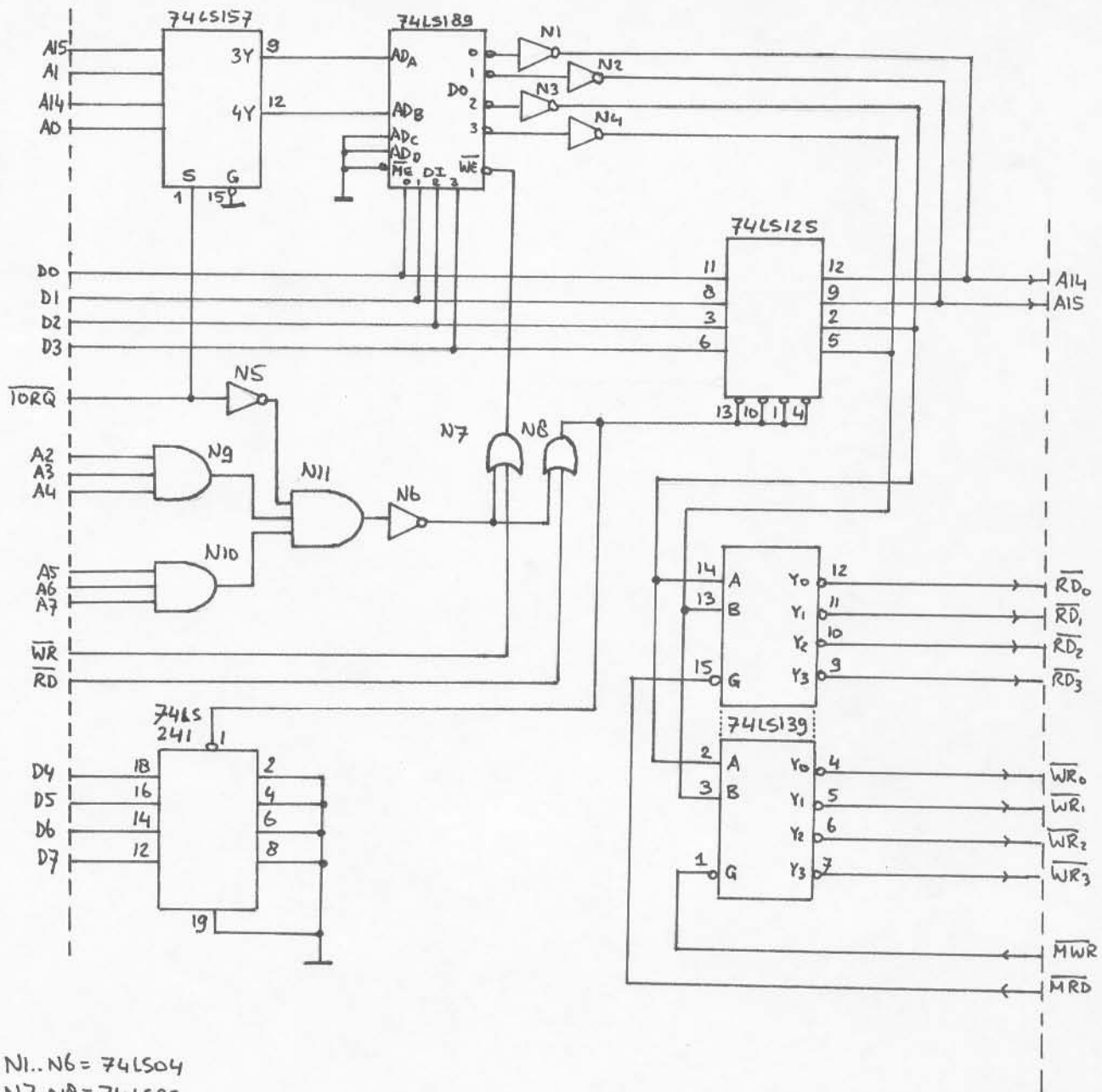
$N1...N3 = \frac{1}{2} 74LS04$



**TYZACK USD MAIN I/O**

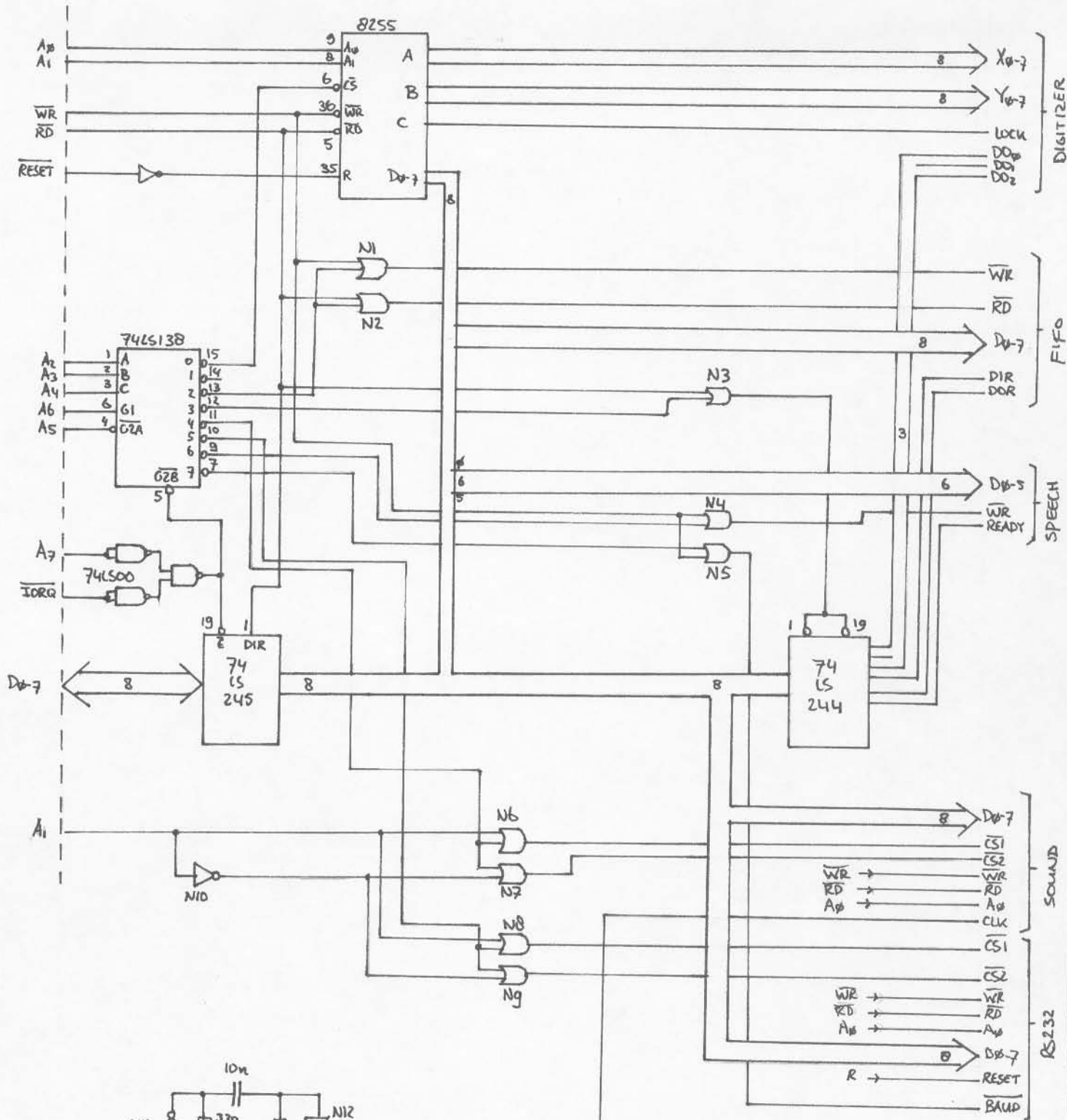
NOTES: MIDI CLOCK NEEDS BUFFER IN MIDI SYSTEM WHEN LONG DISTANCE FROM MAIN.

© 1990 CASIA CORPORATION HOLLAND  
TO BE USED BY PERMISSION ONLY



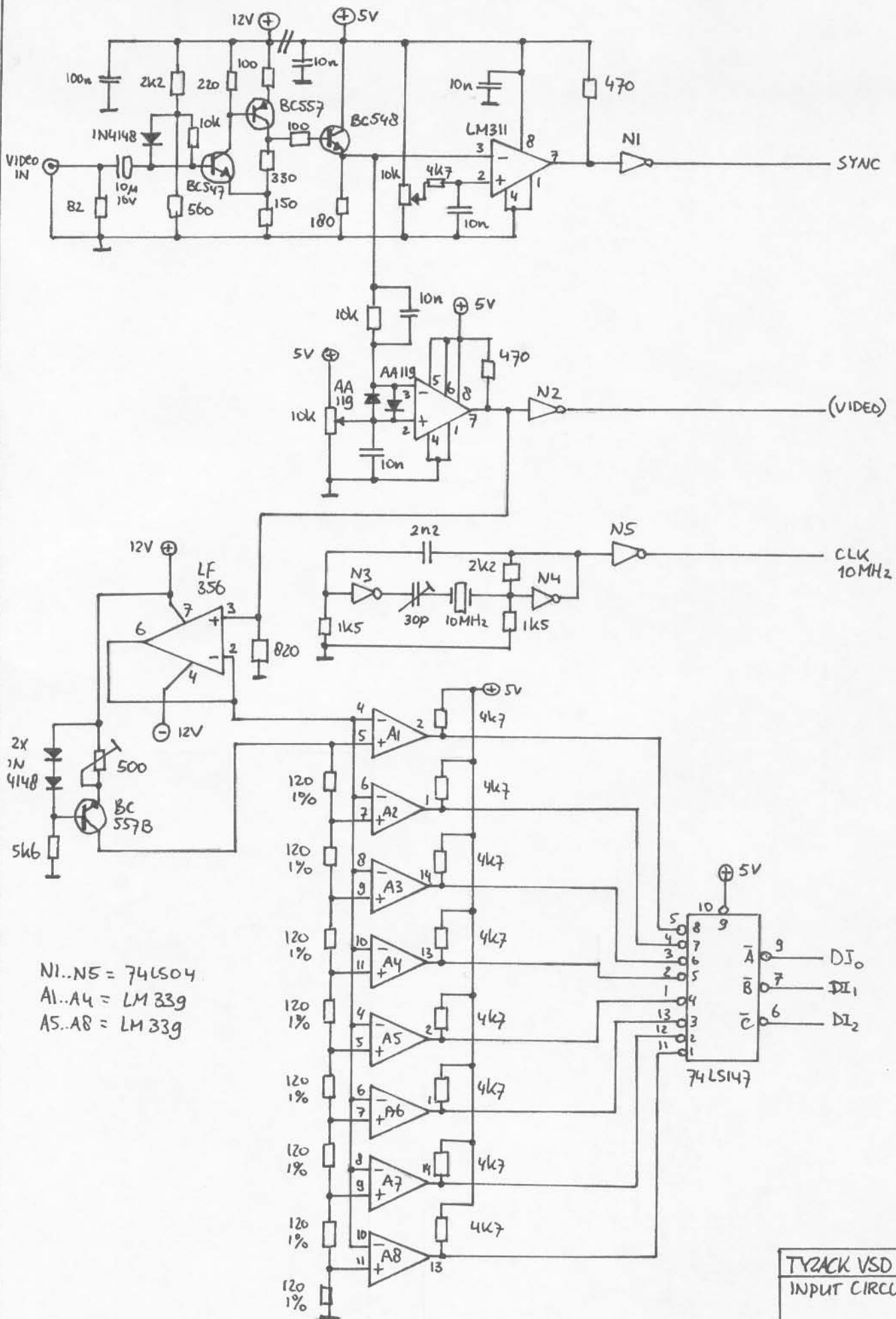
N1..N6 = 74LS04  
 N7, N8 = 74LS32  
 N9..N11 = 74LS11

TYZACK VSD MAIN 256K  
 MAPPER EXT.  
 NOTES: RELIES PARTLY ON  
 AVAILABLE 64K DRAM  
 CONTROLLER.  
 ©1990 CASIA CORPORATION HOLLAND  
 TO BE USED BY PERMISSION ONLY

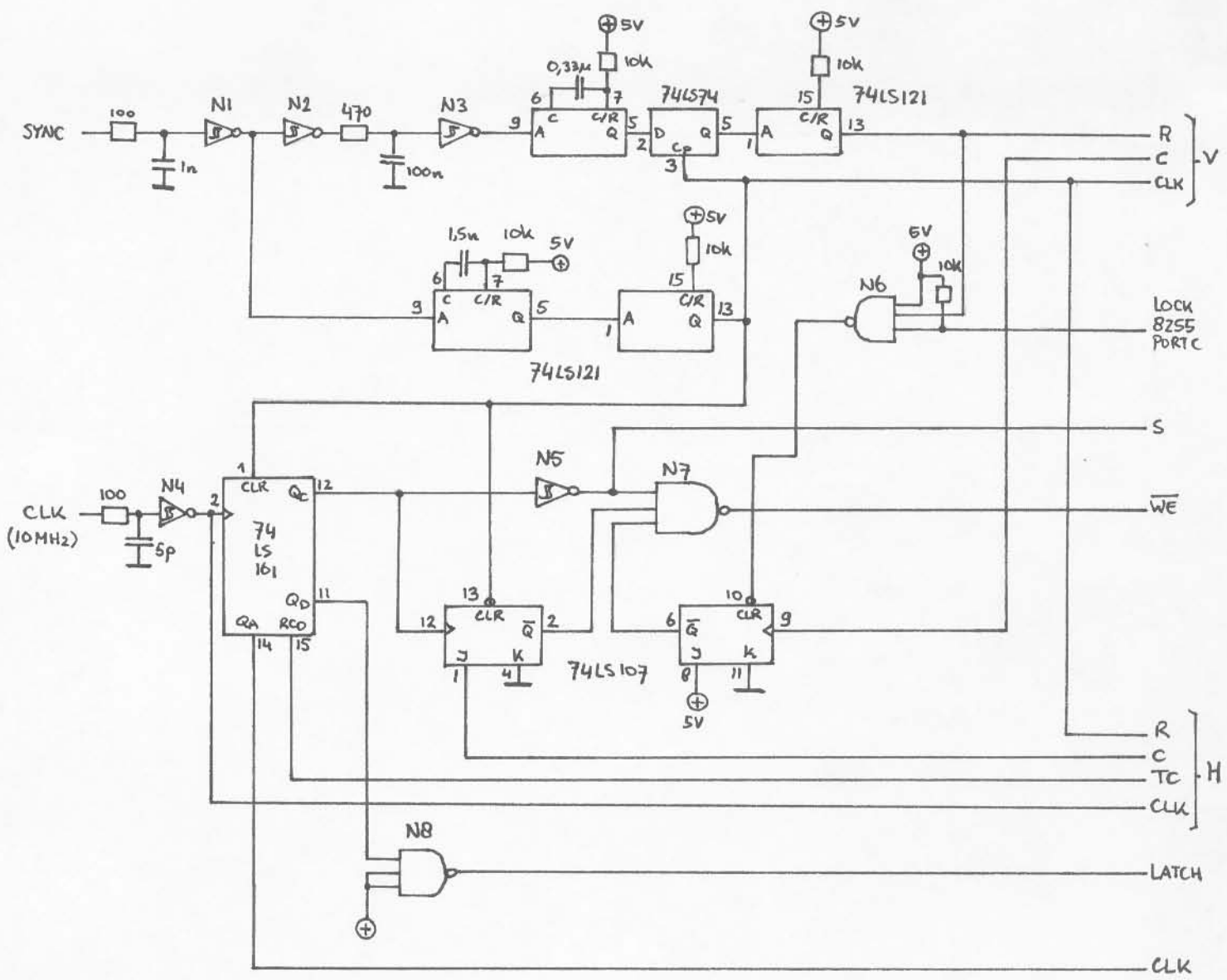


N1..N4 = 74LS32  
 N5..N8 = 74LS32  
 N9 = 74LS32  
 N10..N13 = 74LS04

TYZACK VSD DIGITIZER  
 I/O  
 ©1989 CASIA CORPORATION  
 HOLLAND

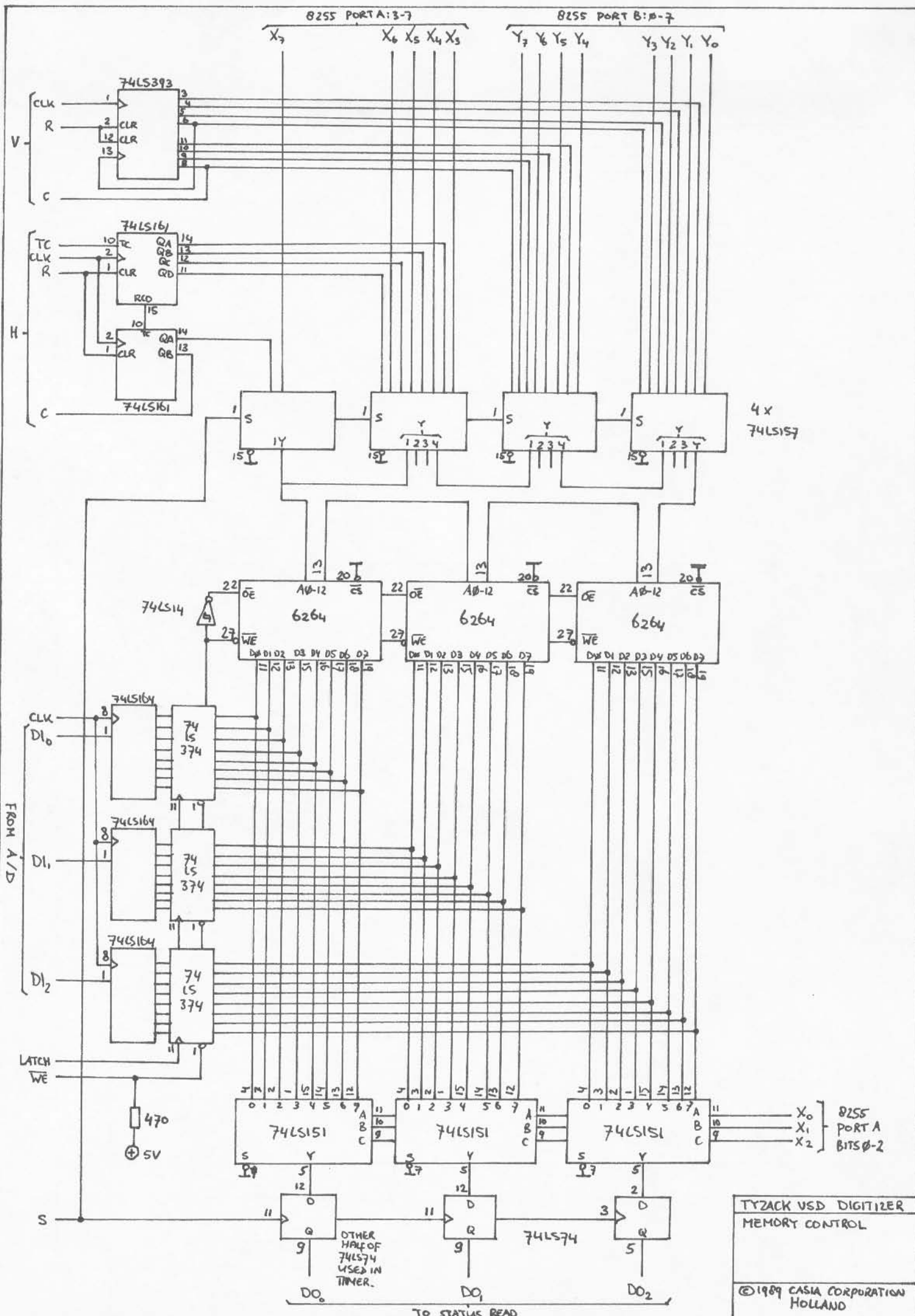


TYRACK VSD DIGITIZER  
 INPUT CIRCUIT  
 © 1990 CASIA CORPORATION  
 HOLLAND



N1..N5 = 74LS14  
 N6..N8 = 74LS10

TYZACK VSD DIGITIZER  
 TIMING CIRCUIT  
 ©1989 CASIA CORPORATION  
 HOLLAND



TYZACK USD DIGITIZER  
 MEMORY CONTROL  
 ©1989 CASIA CORPORATION  
 HOLLAND